

system- & anlagentechnik
holger hertel



Engineering services for water- and exhaust air treatment plants

- Consulting
- Project handling
- Commissioning

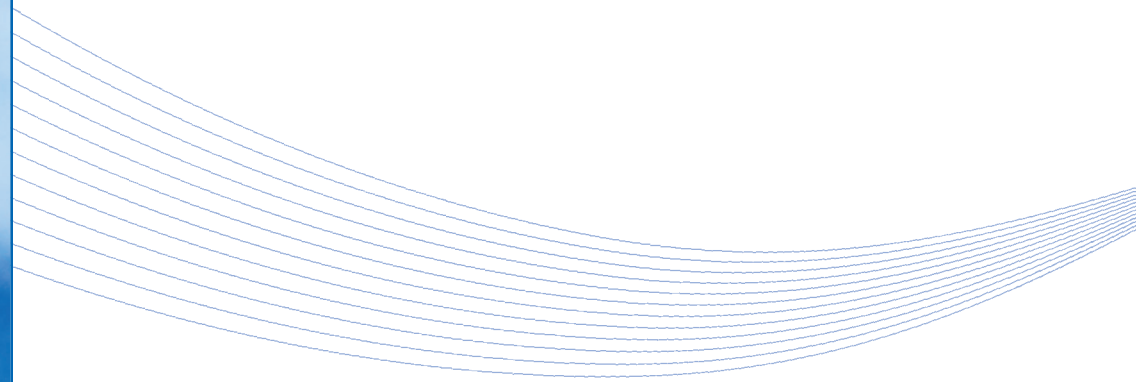


system- & anlagentechnik

holger hertel



Water- and exhaust air treatment



Expertise and experience in systems engineering

hh system- & anlagentechnik is registered in Germany.
We are active in the field of water and exhaust air treatment,
using general and special treatment techniques.

Some of our support programmes are planning, design,
programming and the commissioning of:

- acidic, alkaline, alkaline-oxidative combined air scrubbers,
- regenerative thermal oxidation systems (RTOs),
- biocatalytic filters, reactors,
- UF plants, RO plants,
- activated carbon filters
- gravel filters,
- ion-exchangers, etc.

We advice, assist and guide you through your project,
concentrating on:

- effective solutions,
- performance, satisfactory and results,
- met targets.



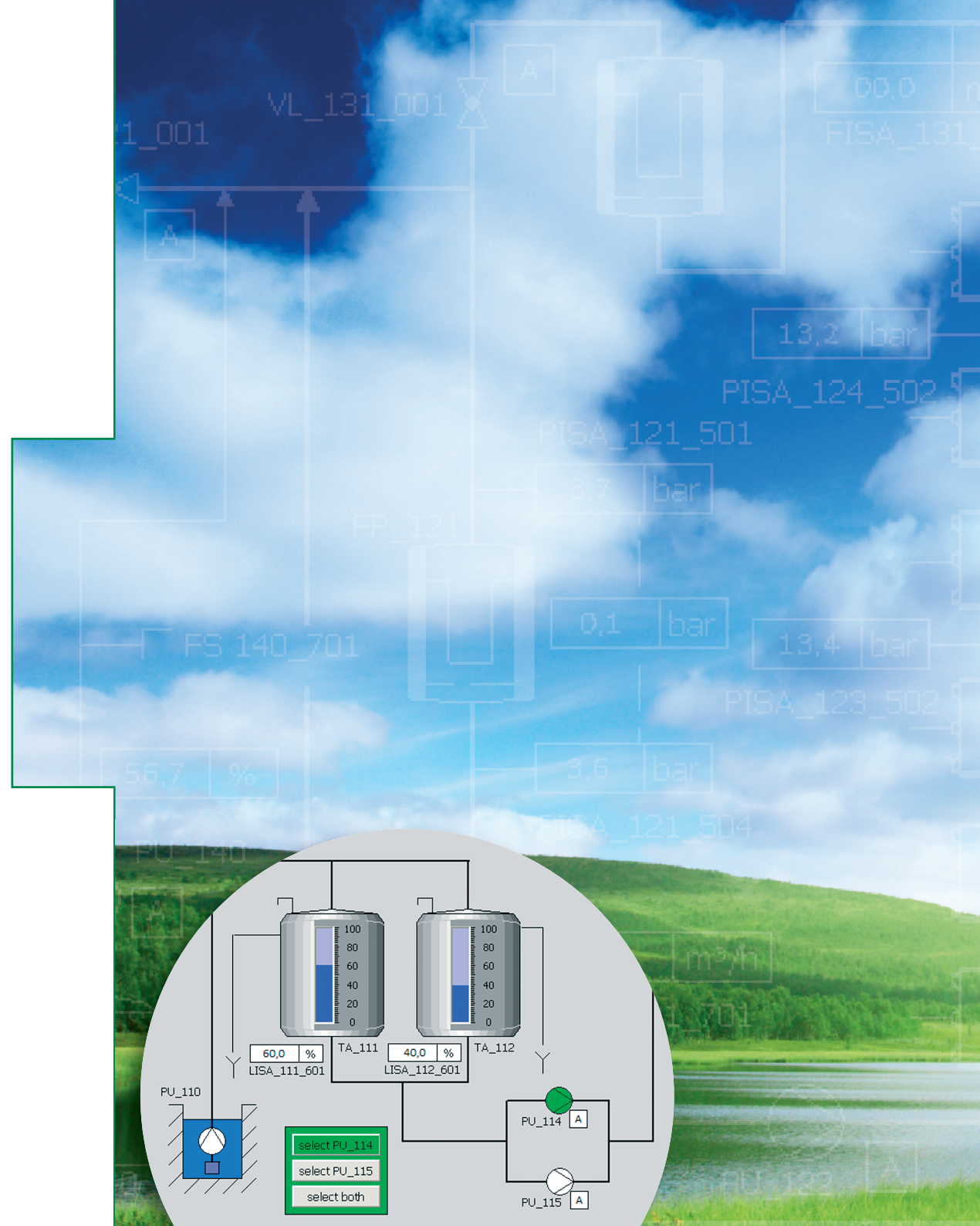
Success and Contentment

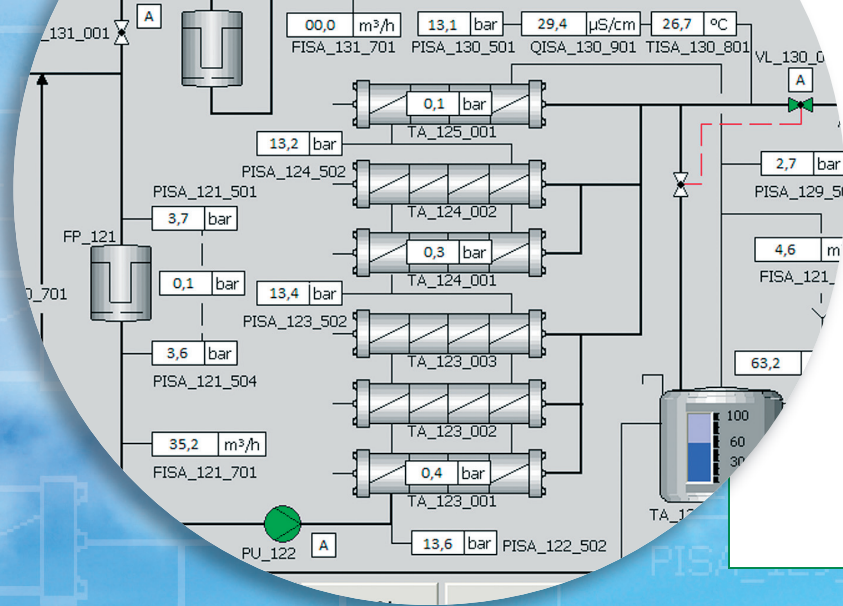
The level of automation in modern plants is very high and it will become increasingly important in the future. Hardly any process parameters are determined manually and recorded online parameters are tightly integrated in the automated process.

Manual process steps are required only in exceptions. To ensure this, it is essential that the various disciplines such as mechanical engineering, process engineering and automation are well geared and fine tuned, so that individual solutions are no longer sufficient.

These general problems and limitations are often diffuse or even unknown. Lack of understanding and communication often leads to an inefficient planning, postponements and increasing costs.

Avoiding this multidisciplinary expertise and specific experience in different fields of engineering are required. Therefore specialists and qualified professionals, who understand how to couple optimally to the interfaces between the disciplines are needed. This way collateral will be created, subsequent orders will be secured and costs will be decreased. Most companies have already recognized the situation, but cannot provide the requirements on their own. Here we can give help and support.





General services are:

- Consulting,
- Pilot plants engineering,
- Design criteria and calculations,
- PLC (S7) and Process-Visualisation (WinCC, WinCC-flexibe),
- Project handling,
- Commissioning,
- Process optimization (energy- and consumption),
- Training,
- Documentation,
- Explosion prevention and -protection according to BetrSichV guide line §14 1–3 and §15.



nit system- & anlagentechnik » our solutions



Realising effective solutions –
together in one team



Tasks should be **SMART!**

Engineering services for water- and exhaust air treatment plants.
Keeping an eye on the interface between the special fields
and finding the most effective solution – together in one team.

S – SPECIFIC

M – MEASURABLE

A – ADAPTABLE

R – REALISABLE

T – TIME SCHEDULED

We can advise assist you through your project, ensuring
that the targets are met, so that everyone is satisfied with
performance and results.

'A fair deal creates mutual respect.'

hh system- & anlagentechnik

Phone +49 (0)40 69665337

holger.hertel@hh-anlagentechnik.com



The company is headed in its status as a sole proprietorship named 'hh system- & anlagentechnik holger hertel'.

For securing and clarifying operational transactions are governed by the Terms and Conditions drawn up.



system- & anlagentechnik
holger hertel

Dipl.-Ing. (FH) Holger Hertel

Von-Eicken-Straße 11
22529 Hamburg ■ Germany

Phone +49 (0)40 69665337

Mobile +49 (0)163 7795873

holger.hertel@hh-anlagentechnik.com

www.hh-anlagentechnik.com